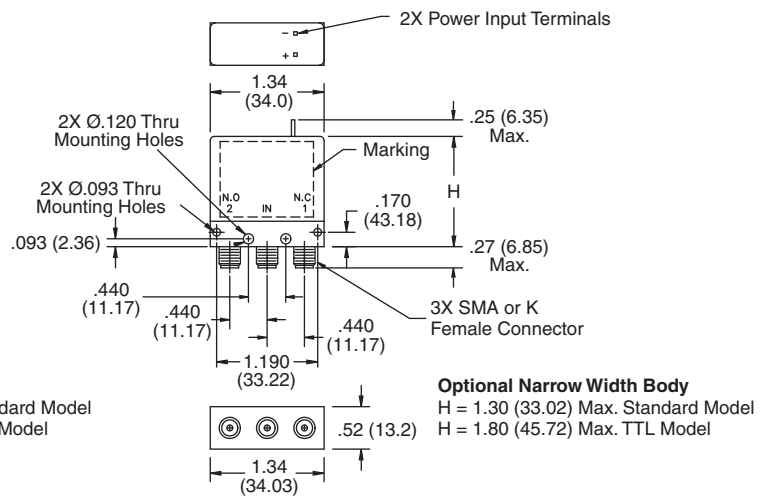
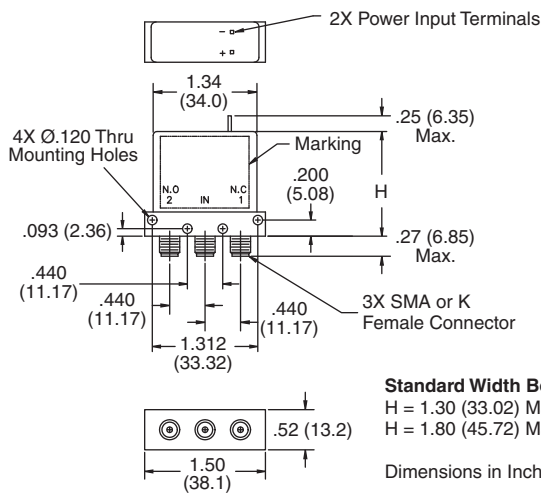
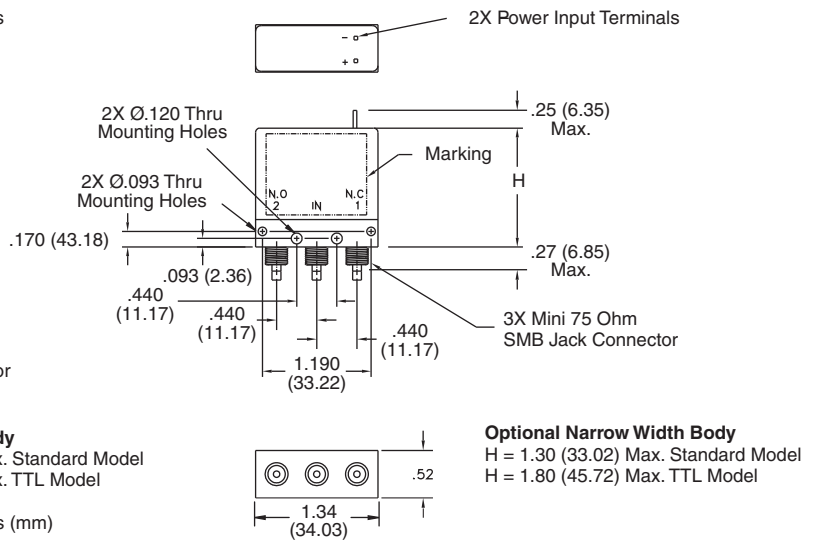
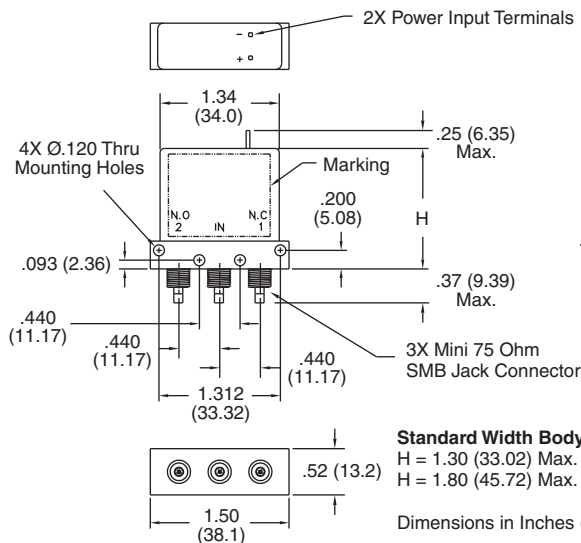


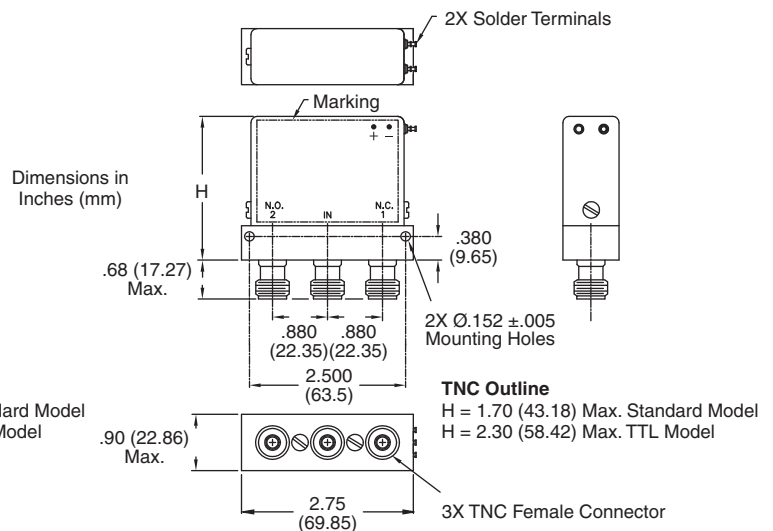
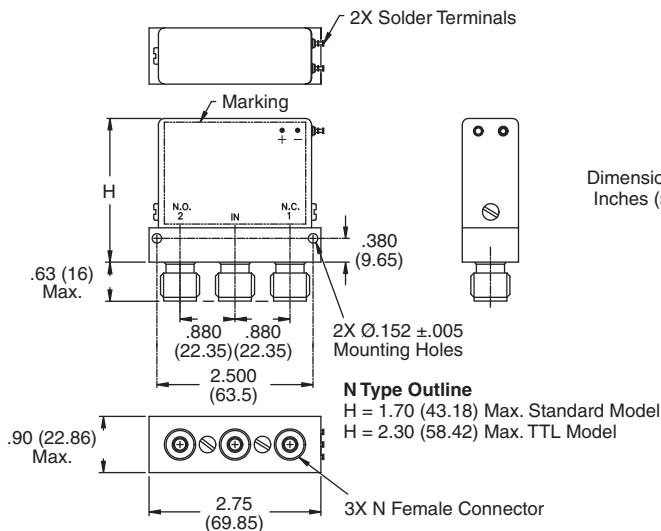
CCR-33, CCR-53, CCR-33K



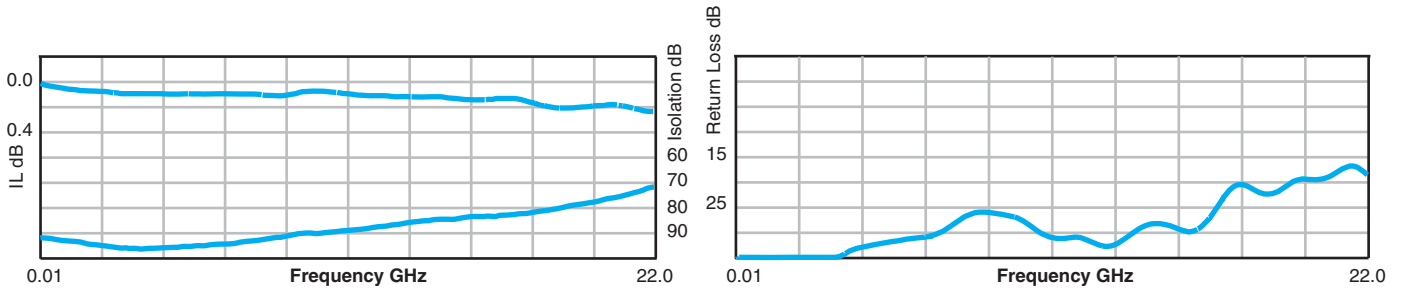
CCR-33M



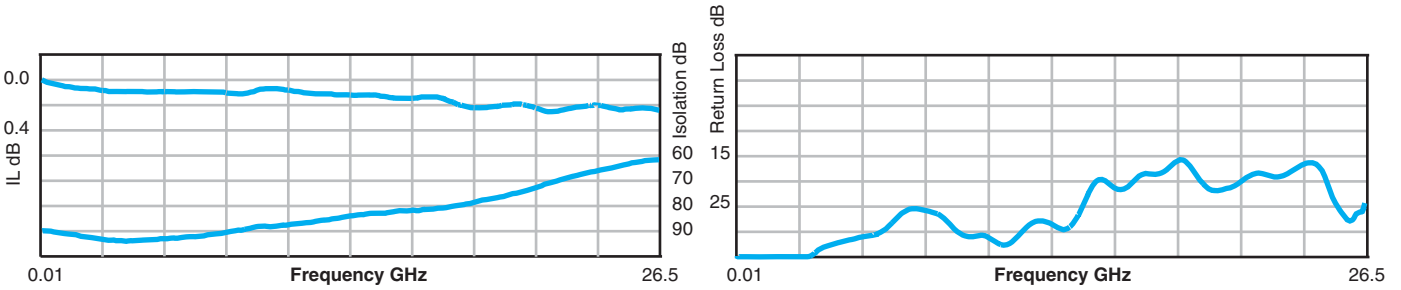
CCS-32



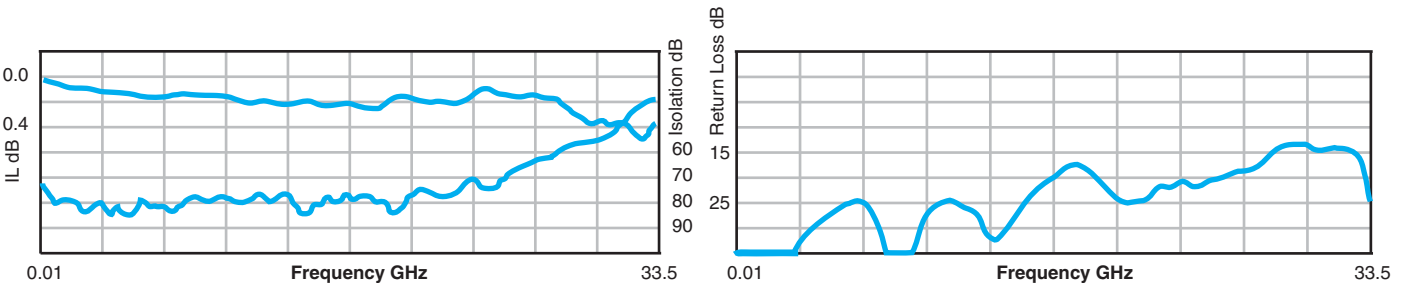
CCR-33



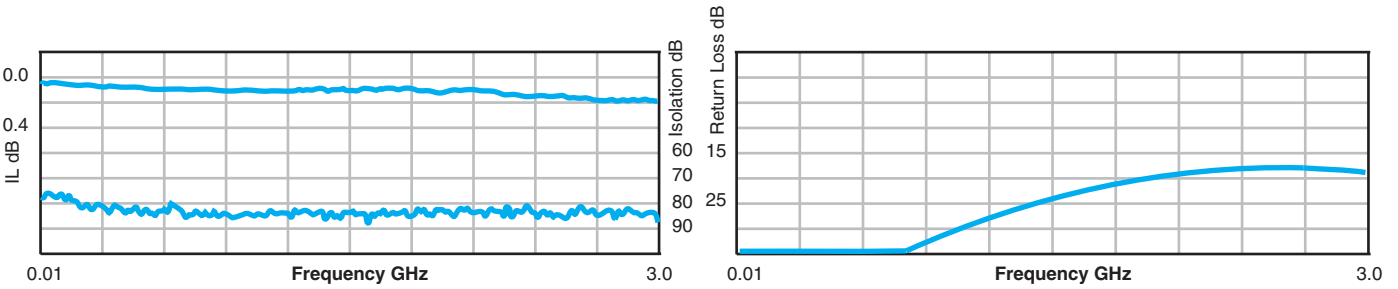
CCR-53



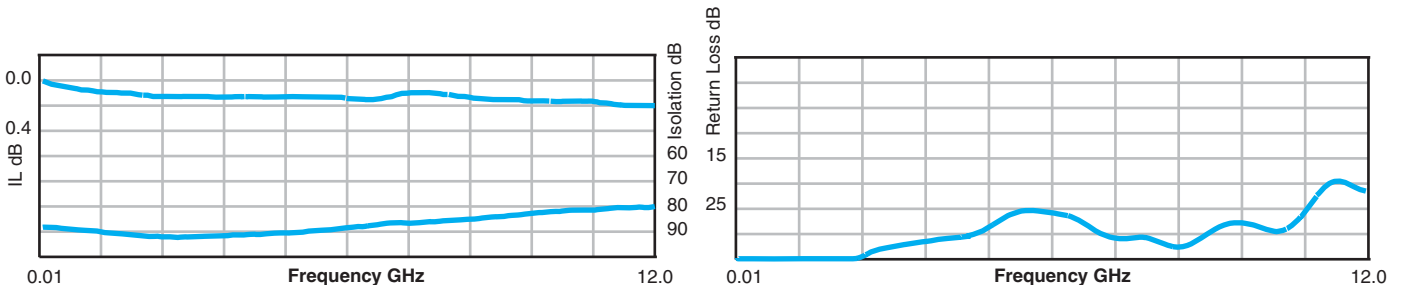
CCR-33K



CCR-33M

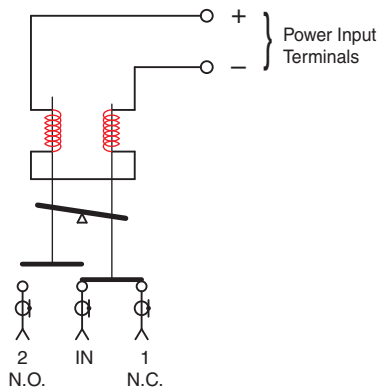


CCS-32

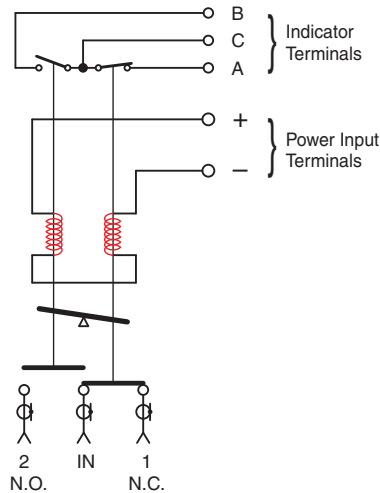


CCR-33, CCR-53, CCR-33K, CCR-33M, CCS-32

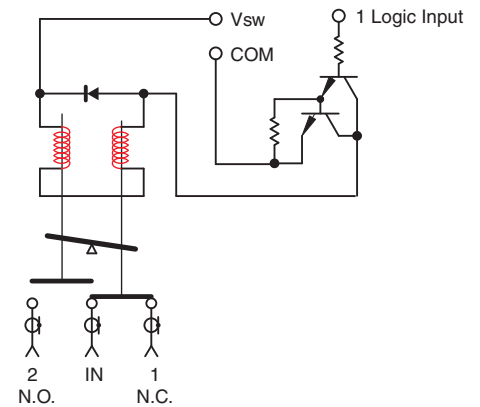
Failsafe Switch (Analog)



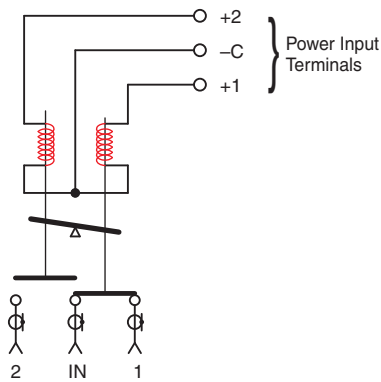
Failsafe Switch with Indicator



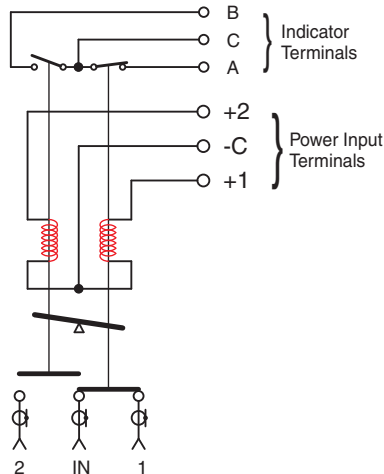
Failsafe Switch with TTL Driver



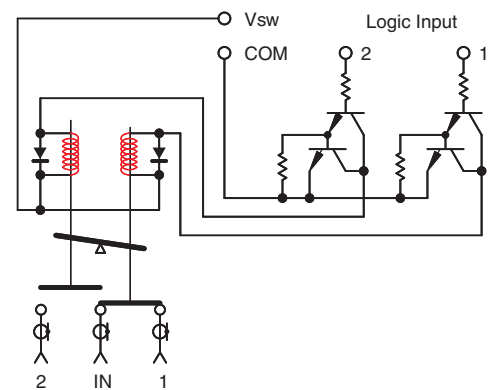
Latching Switch (Analog)



Latching Switch with Indicator



Latching Switch with TTL Driver



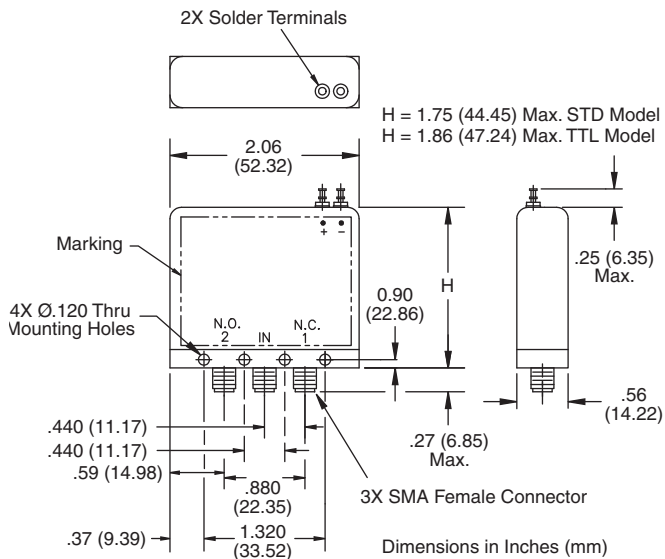
THINK INSIDE THE BOX



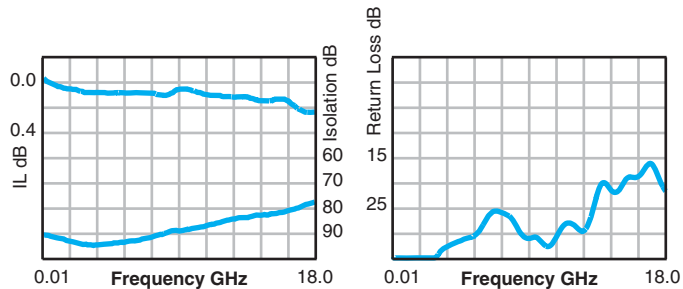
Teledyne Switch Matrices incorporate our extensive selection of highly reliable and repeatable coaxial switches.

- Over 40 years of expertise
- Modular design
- 50Ω, 75Ω impedance
- Standard rack enclosures
- Designed to minimize losses
- Long life, high cycle rate
- High-power capabilities
- Multiple connector options
- Universal power supply

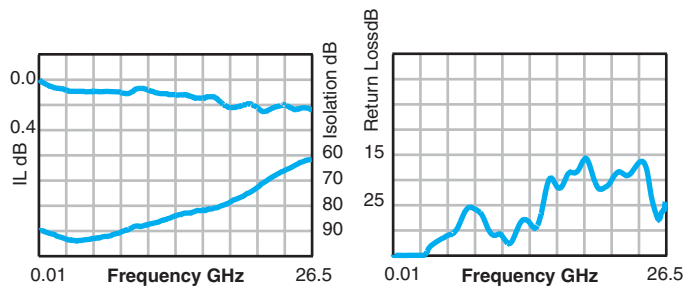
CCRT-33, CCRT-53



CCRT-33

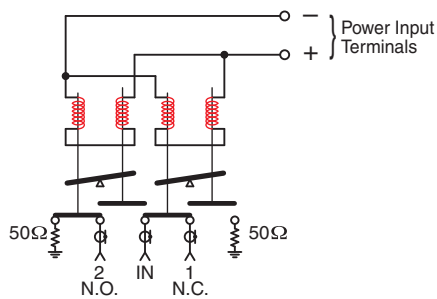


CCRT-53

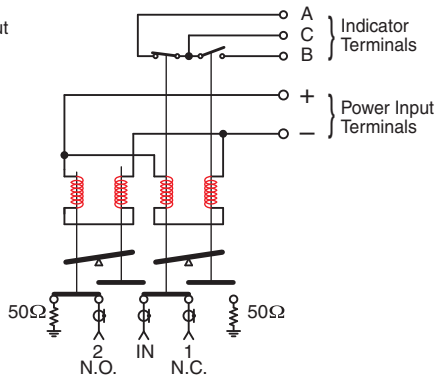


CCRT-33, CCRT-53

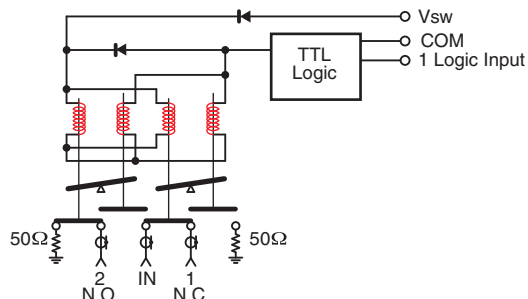
Failsafe Switch (Analog)



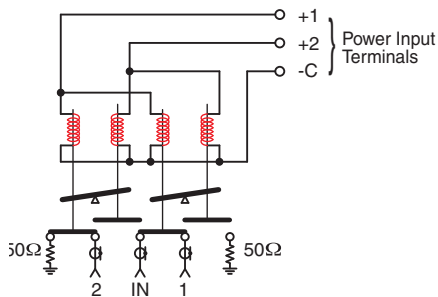
Failsafe Switch with Indicator



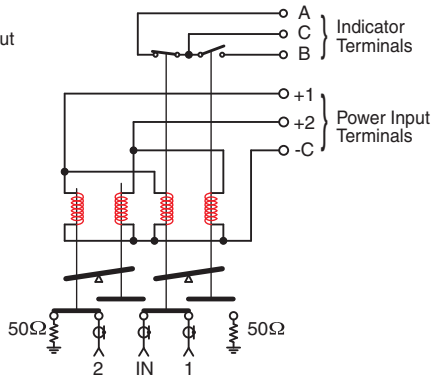
Failsafe Switch with TTL Driver



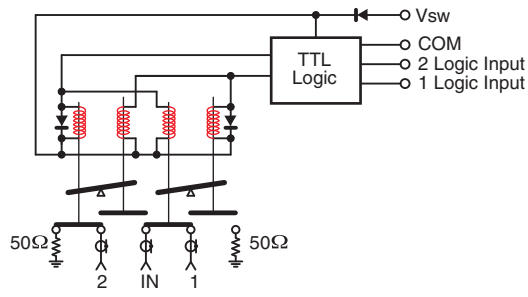
Latching Switch (Analog)



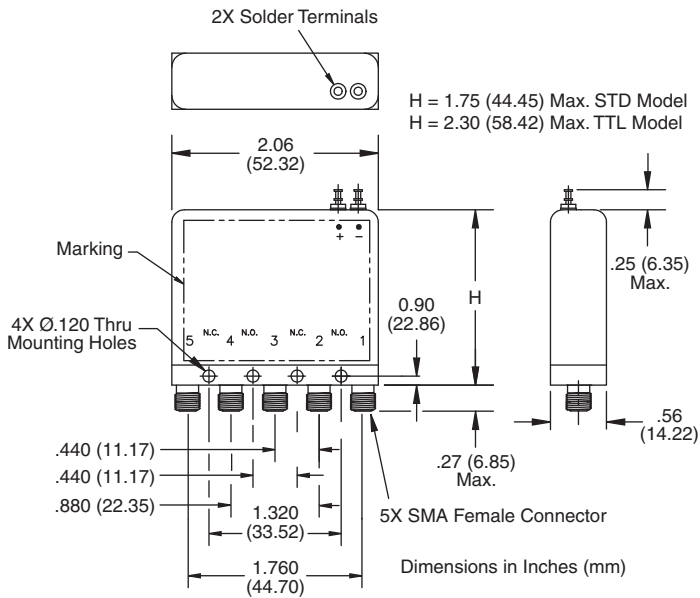
Latching Switch with Indicator



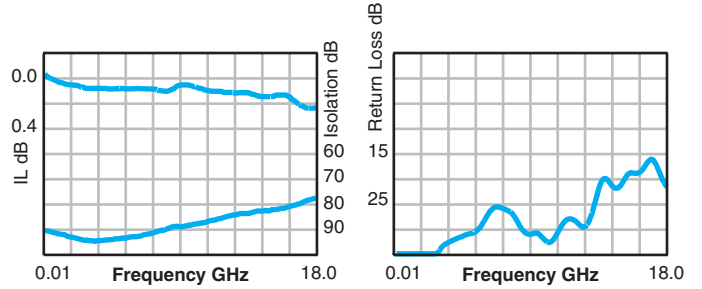
Latching Switch with TTL Driver



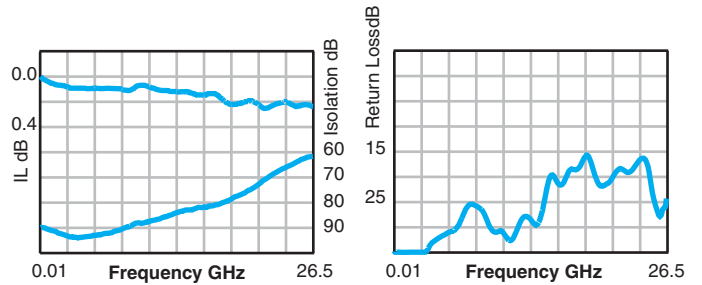
CCRS-33, CCRS-53



CCRS-33

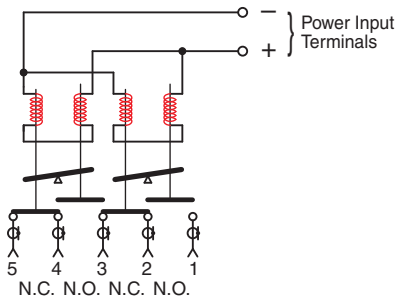


CCRS-53

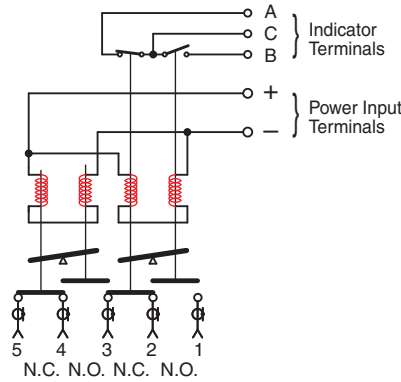


CCRS-33, CCRS-53

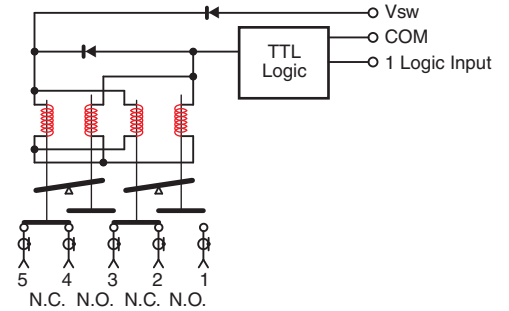
Failsafe Switch (Analog)



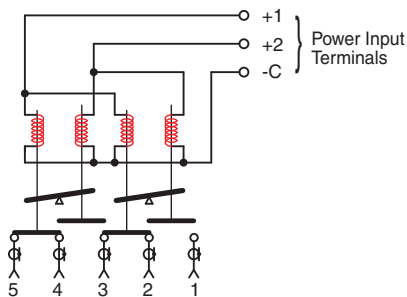
Failsafe Switch with Indicator



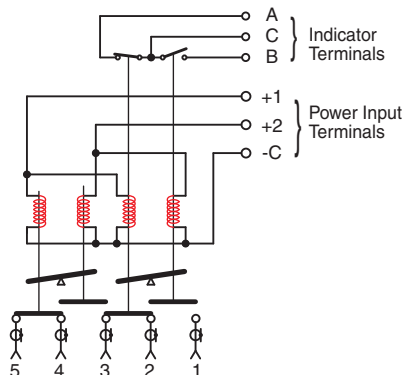
Failsafe Switch with TTL Driver



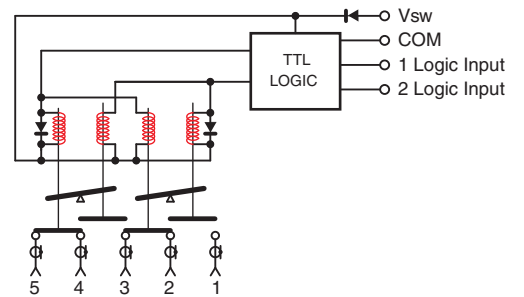
Latching Switch (Analog)



Latching Switch with Indicator



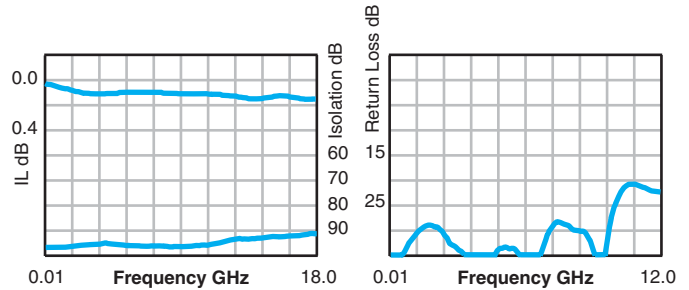
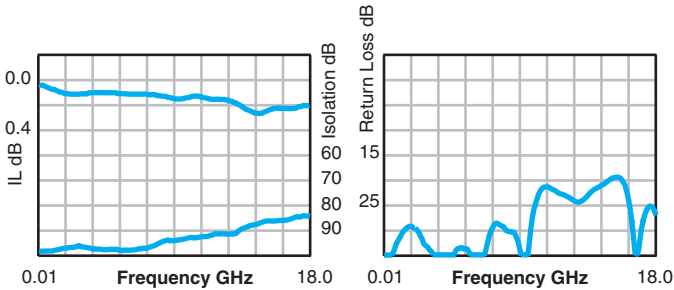
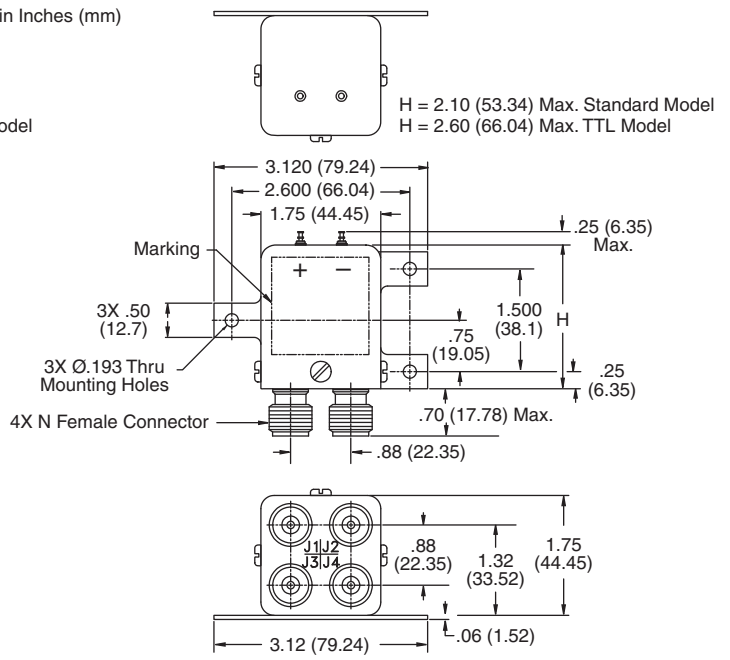
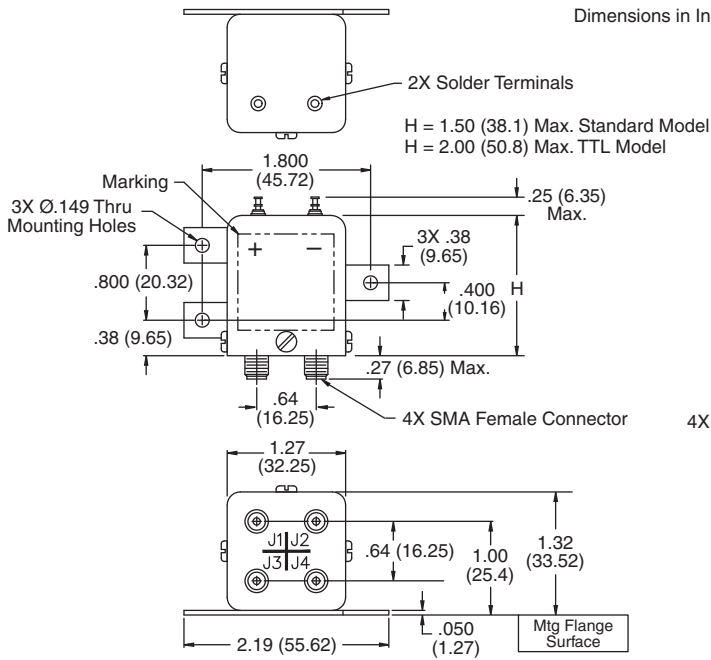
Latching Switch with TTL Driver



CCS-37

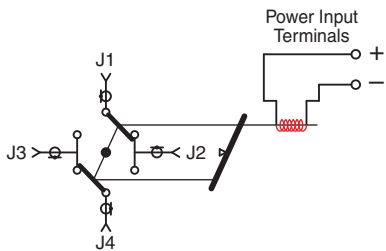
CCS-47

Dimensions in Inches (mm)

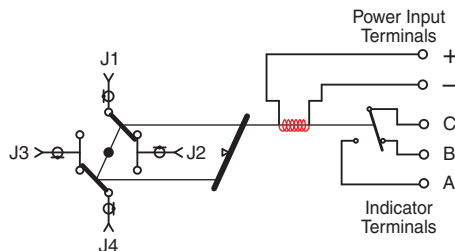


CCS-37, CCS-47

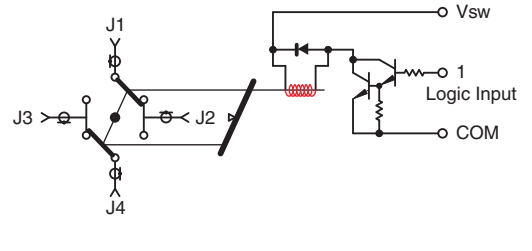
Failsafe Switch (Analog)



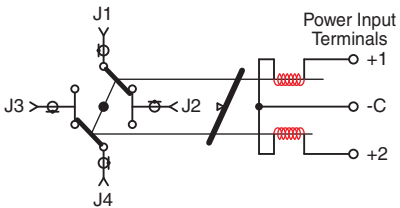
Failsafe Switch with Indicator



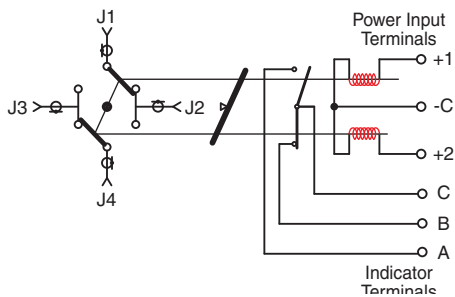
Failsafe Switch with TTL Driver



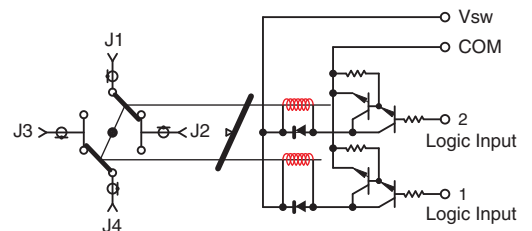
Latching Switch (Analog)



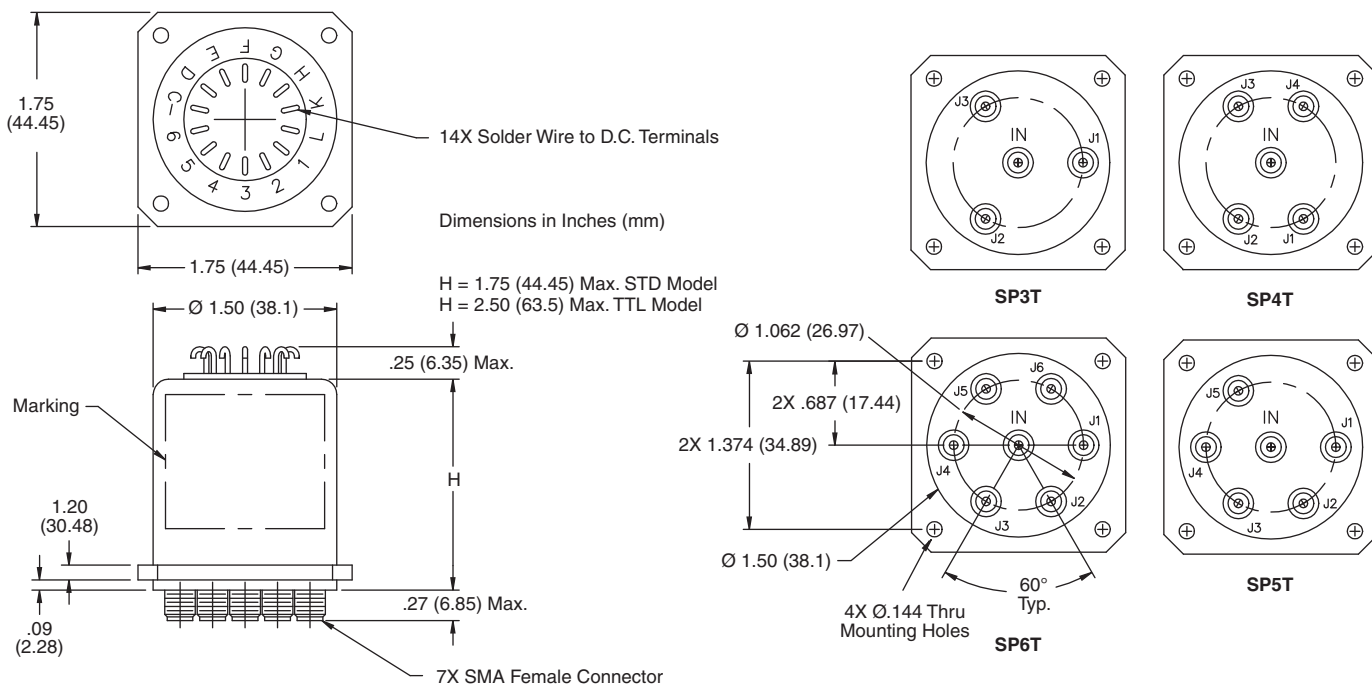
Latching Switch with Indicator



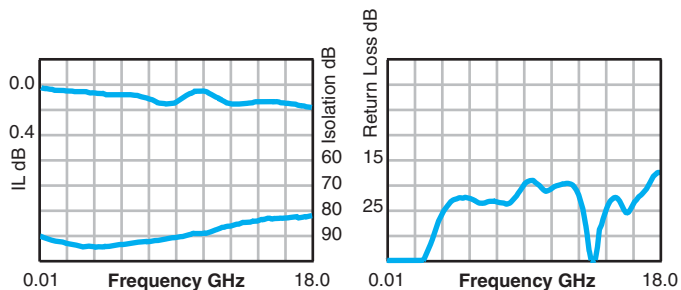
Latching Switch with TTL Driver



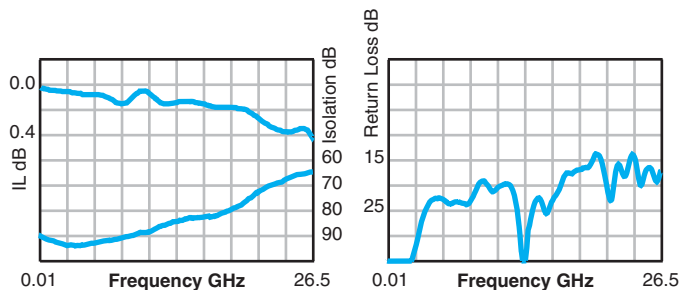
CCR-38, CCR-58



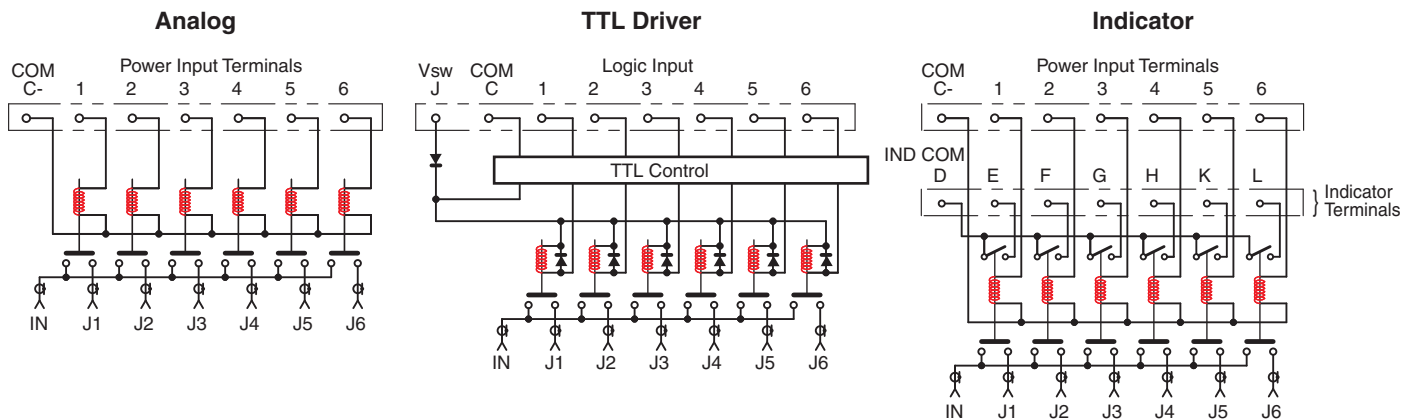
CCR-38



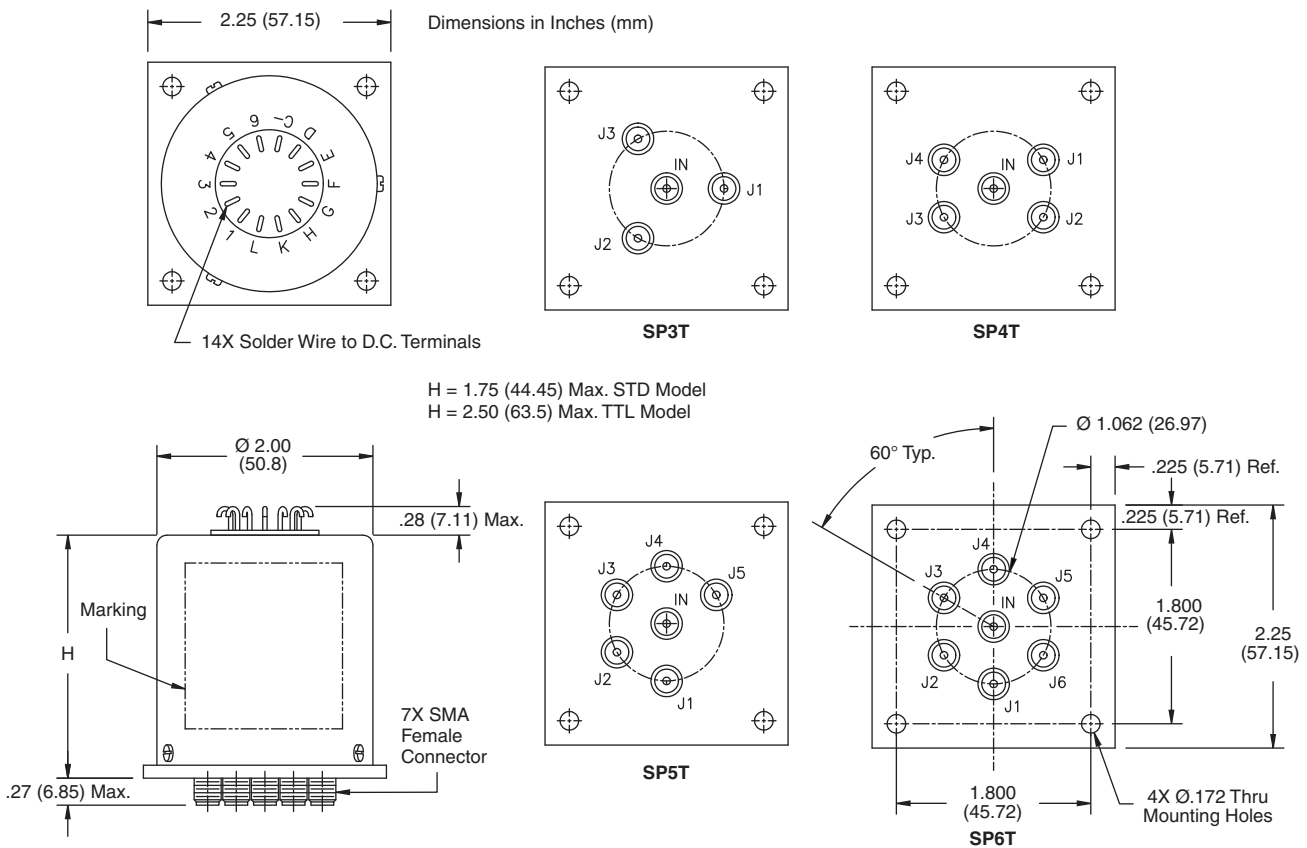
CCR-58



CCR-38, CCR-58

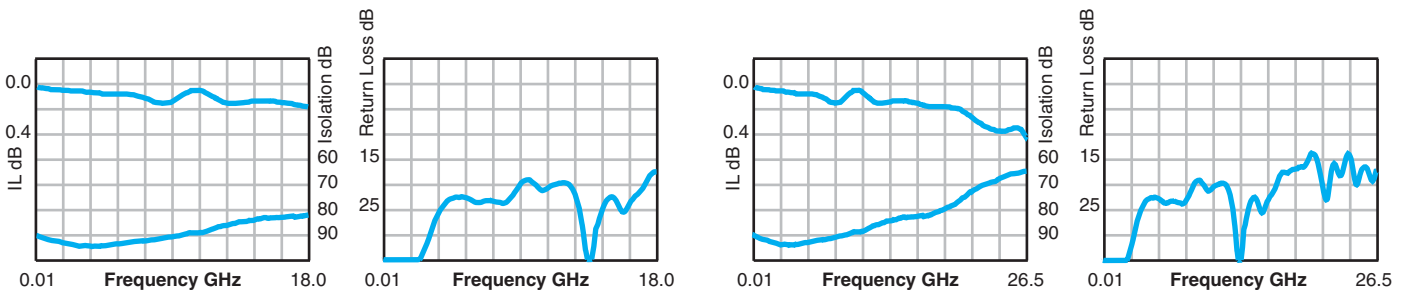


CCT-38, CCT-58, CCR-39, CCT-39, CCR-59, CCT-59



CCT-38, CCR-39, CCT-39

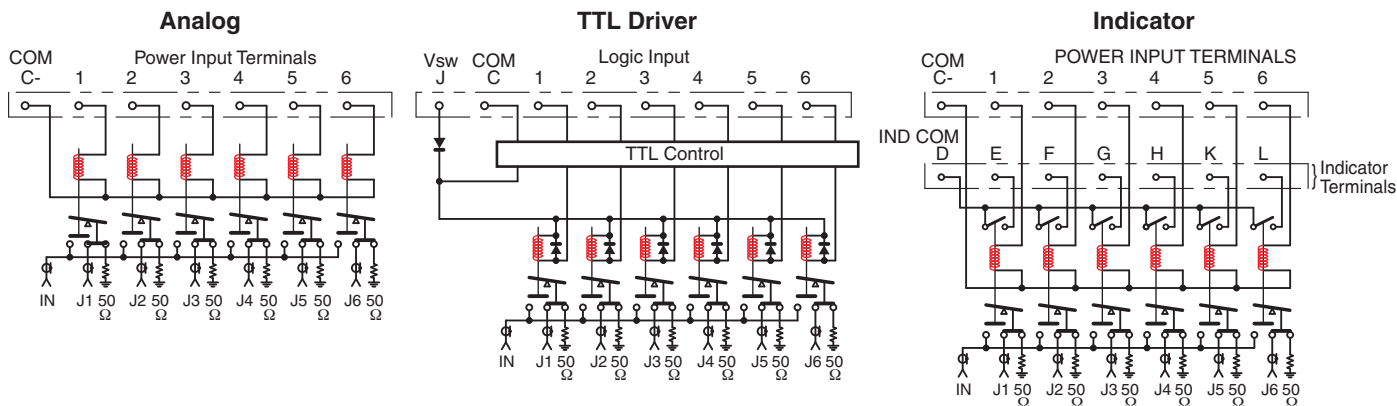
CCT-58, CCR-59, CCT-59



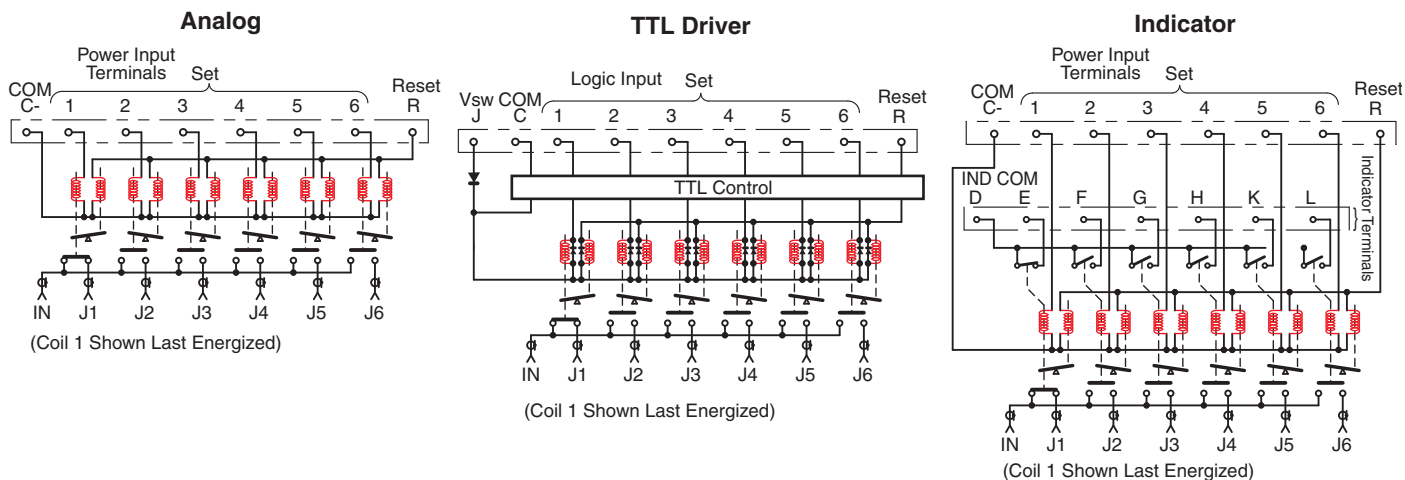
Popular commercial coaxial switches
are in stock at our warehouse
or at our distributor partners
and can be shipped to you right away.

Call (800) 351-7368
or visit teledynecoax.com.

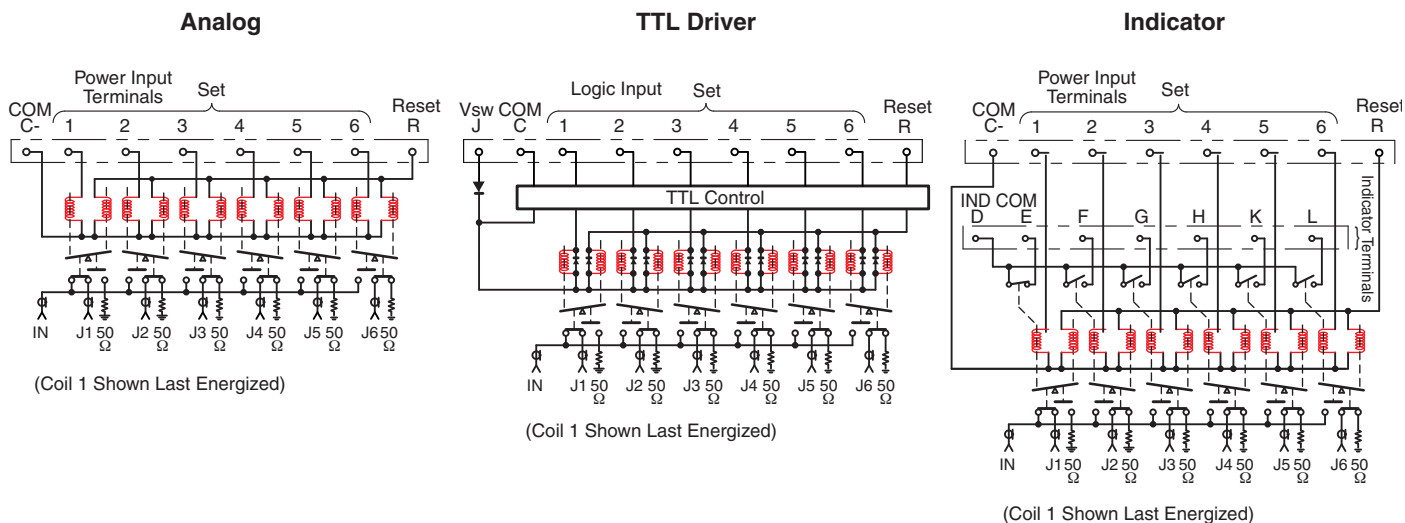
CCT-38, CCT-58



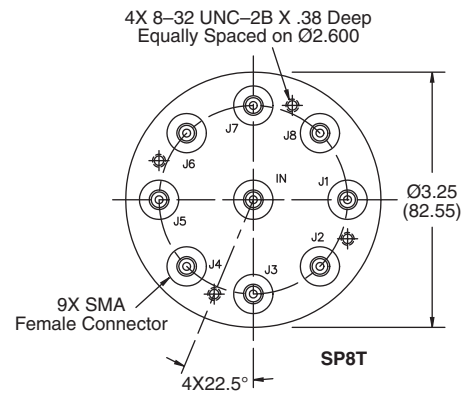
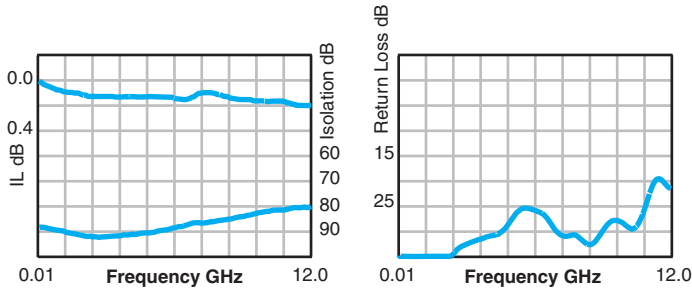
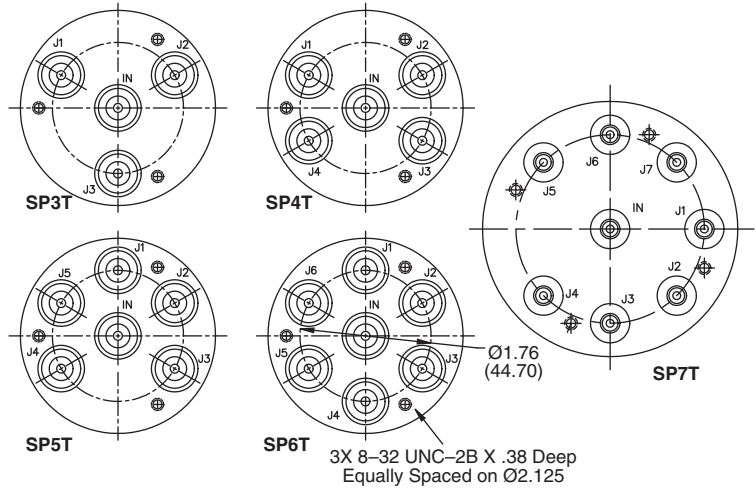
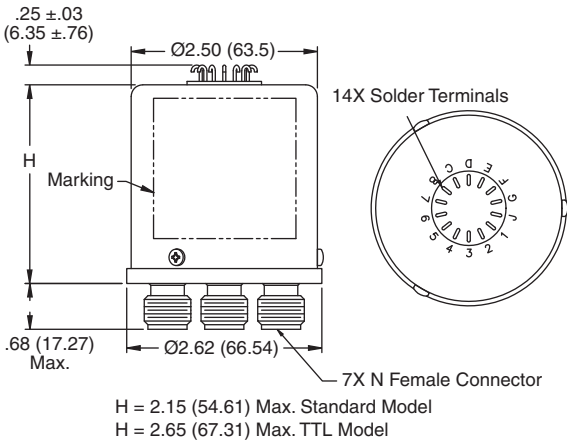
CCR-39, CCR-59



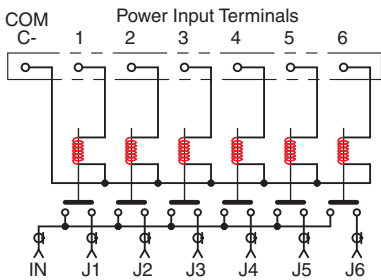
CCT-39, CCT-59



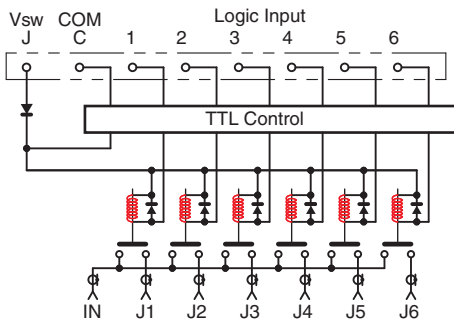
CCS-18



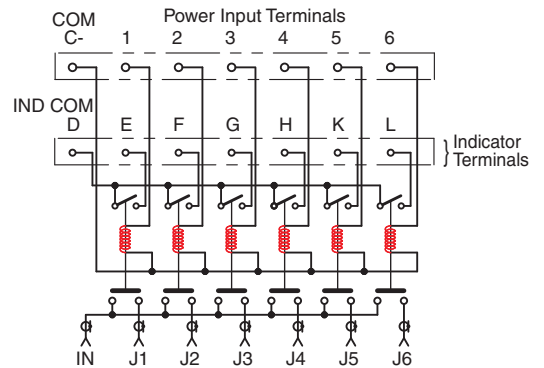
Analog



TTL Driver



Indicator



(Number of ports reduced for convenience)

If you don't see what you're looking for in this Selection Guide, contact us!