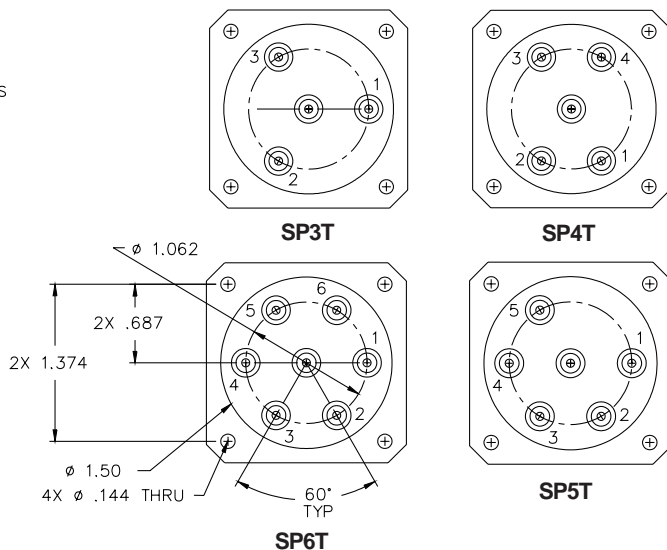
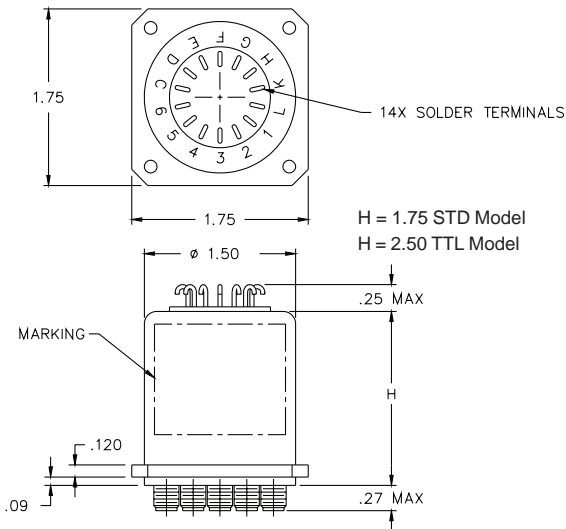
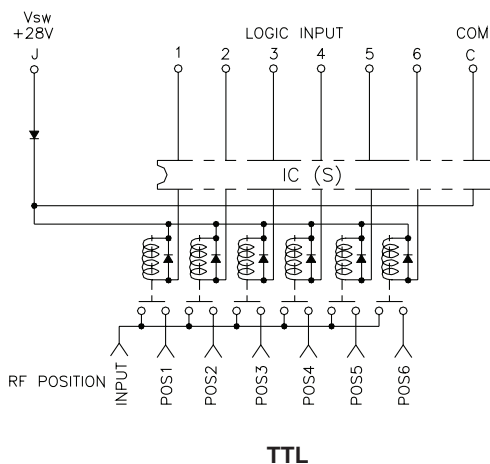
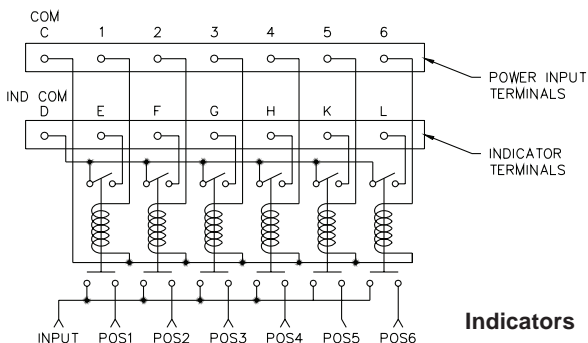
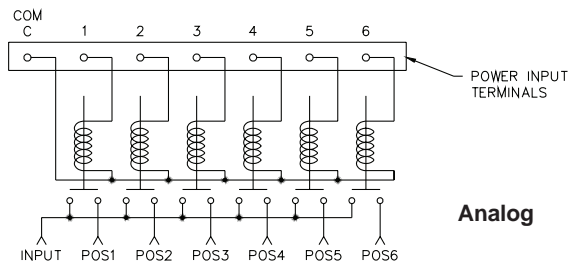


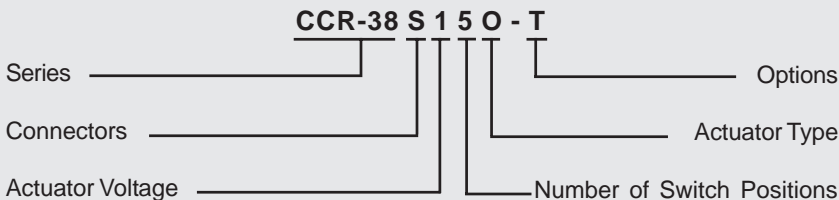
Commercial CCR-38

Multi-Throw DC-18GHz

Normally Open



Part Numbering System for CCR-38 (Normally Open)



Connector	Actuator Voltage	Number of Positions	Actuator Type	Options
S: SMA Female #	1: 28Vdc Normally Open #	3: SP3T #	O: No Indicator Contacts #	T: TTL Drivers with Diodes
	2: 15Vdc Normally Open #	4: SP4T #	C: Indicator Contacts #	R: Positive + Common
	3: 12Vdc Normally Open #	5: SP5T #		TD: TTL Driver with Decoder
		6: SP6T #		

#: Stock item subject to prior sale



Specifications subject to change without notice.

www.teledynecoax.com
email: coax@teledyne.com

Tel: (800) 351-7368
10/2007