



# Commercial CCR-33M

## 75 Ohm DC-3GHz SPDT Switch

### Failsafe

The CCR-33M switch is the first of its series, expanding our product line to include 75-Ohm designs. This SPDT is designed for optimum performance in 75-Ohm applications switching signals from a common input to either of two outputs. The characteristic impedance is 75 Ohms. The switches are small with connector spacing compatible with mini-SMB connectors.

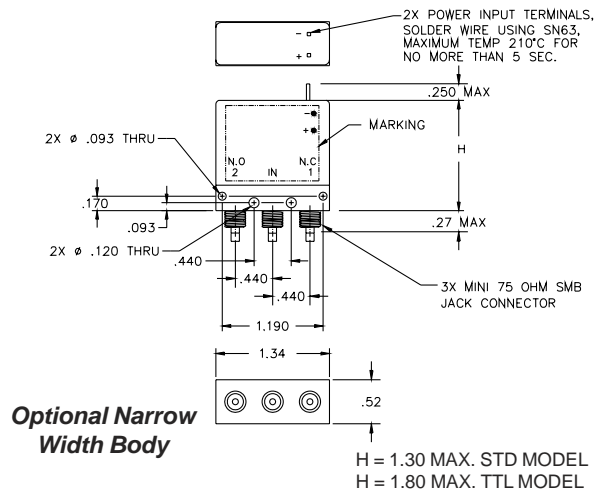
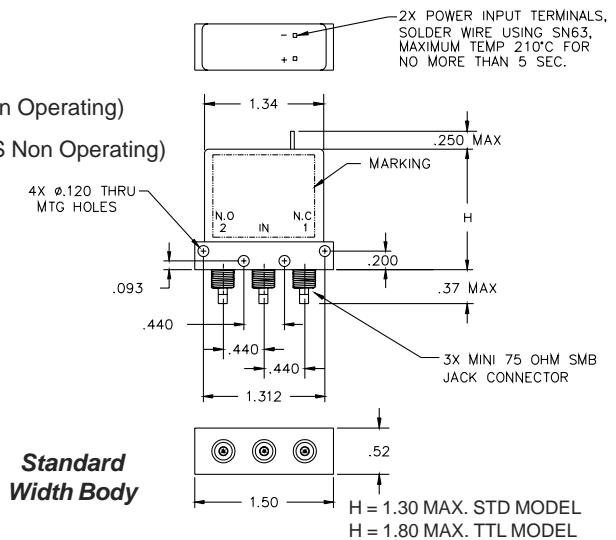
The CCR-33M series switch is offered with either a failsafe or latching actuator. This design is compatible with the two most common mounting hole patterns.

#### Specifications

- RF Contacts:** Break before make
- Actuator**
- |                    |     |     |    |
|--------------------|-----|-----|----|
| Voltage (VDC) 20°C | 12  | 15  | 28 |
| Current (mA)       | 200 | 160 | 90 |
- Switching Time:** 20 msec max
- Connectors:** mini-SMB 75 Ohm Jack. In accordance with IEC 169-10, CECC 22 130, US MIL-C-39012
- Weight:** 1.65 oz. max
- Temperature Range:** -25°C to +65°C (Operating)
- Shock:** MIL-STD-202 Method 213, Condition D (500G Non Operating)
- Vibration:** MIL-STD-202 Method 214, Condition D (10G RMS Non Operating)
- Humidity:** Moisture Seal Available
- Typical Contact Life:** 5 Million Cycles

#### Specifications

	DC-1 GHz	1-3 GHz
VSWR (max)	1.20:1	1.30:1
Insertion Loss (max)	0.20 dB	0.30 dB
Isolation (min)	80.0 dB	70.0 dB



Specifications subject to change without notice.

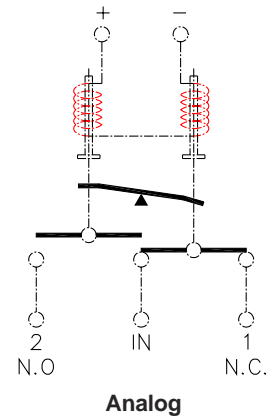
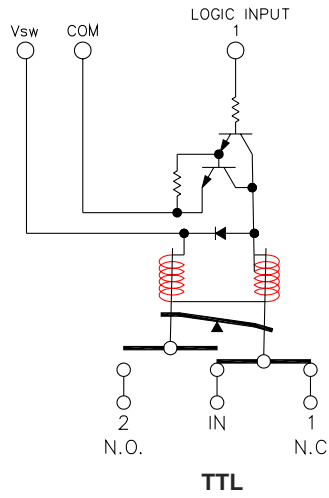
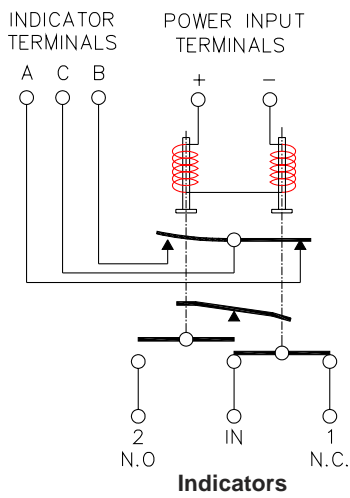
www.teledynecoax.com  
email: coax@teledyne.com

Tel: (800) 351-7368  
09/2007

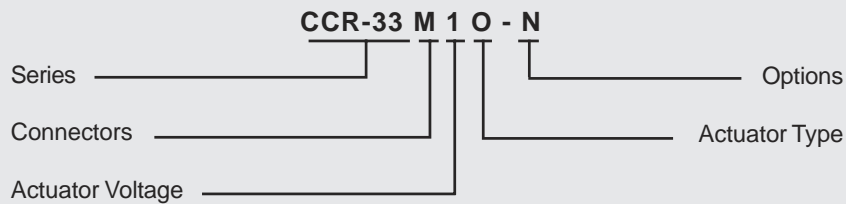
# Commercial CCR-33M

## 75 Ohm DC-3GHz SPDT Switch

### Failsafe



### Part Numbering System for CCR-33M (Failsafe)



#### Connector

M: mini-SMB Female #

#### Actuator Voltage

1: 28Vdc Failsafe #  
2: 15Vdc Failsafe  
3: 12Vdc Failsafe

#### Actuator Type

O: No Indicator Contacts #  
C: Indicator Contacts

#### Options

T: TTL Drivers with Diodes  
N: Narrow Body  
R: Positive + Common

For other options contact Factory

#: Stock item subject to prior sale



Specifications subject to change without notice.

www.teledynecoax.com  
email: coax@teledyne.com

Tel: (800) 351-7368

09/2007