

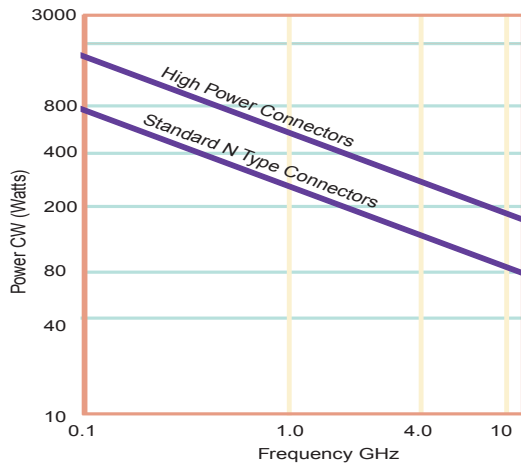


Commercial CCS-47 High Power Transfer DC-12GHz Latching

The Type CCS-47 is a long life, high performance transfer or crossover switch designed for use in 50 Ohms coaxial transmission lines. The switch is available with either failsafe or latching type actuation operating from a variety of voltage supplies. The primary advantage of this switch over the miniature versions shown on previous pages, is the higher power handling capability.

Specifications

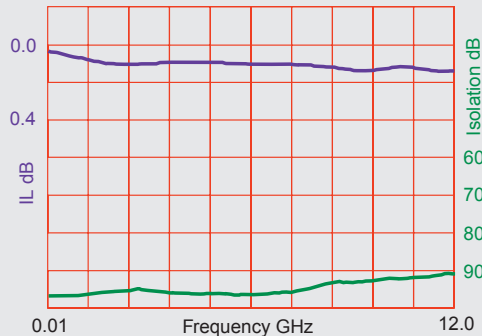
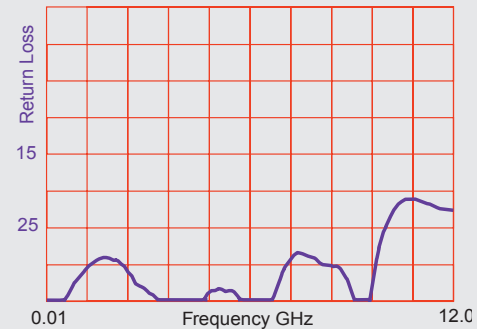
RF Contacts:	Break before make			
Actuator	Voltage (VDC) 20°C	12	15	28
	Current (mA)	160	130	60
Switching Time:	15 msec max			
Connectors:	N-Type (f), TNC (f)(max frequency 11GHz only) or SMA(f)			
Weight:	6 oz. max			
Temperature Range:	-40°C to +65°C (Operating)			
Shock:	MIL-STD-202 Method 213, Condition D (500G Non Operating)			
Vibration:	MIL-STD-202 Method 214, Condition D (10G RMS Non Operating)			
Humidity:	Moisture Seal Available			
Typical Contact Life:	5 Million Cycles			
RF Power Handling:				



Specifications

	DC-1 GHz	1-4 GHz	4-12 GHz
VSWR (max)	1.25:1	1.40:1	1.80:1
Insertion Loss (max)	0.30 dB	0.40 dB	0.50 dB
Isolation (min)	70.0 dB	60.0 dB	60.0 dB

Typical Performance

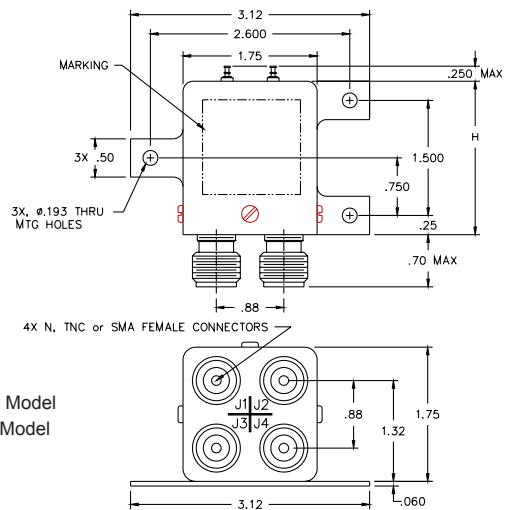
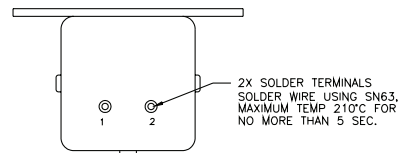
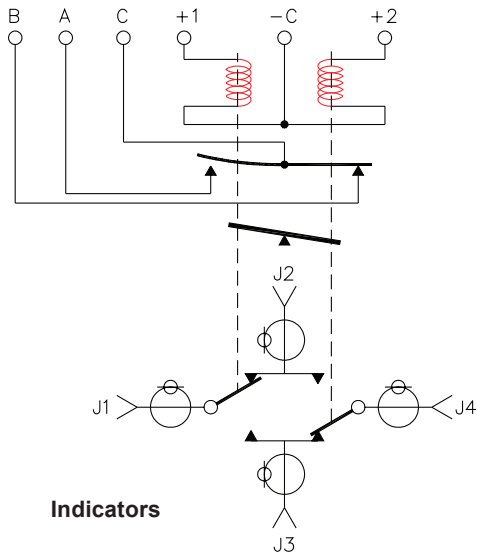
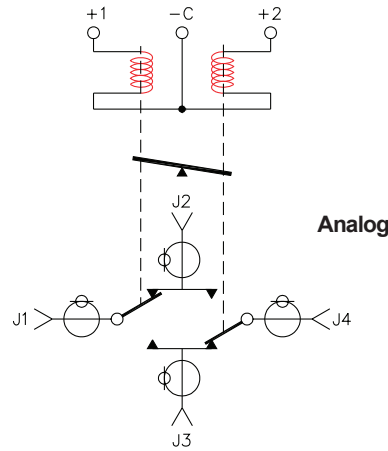
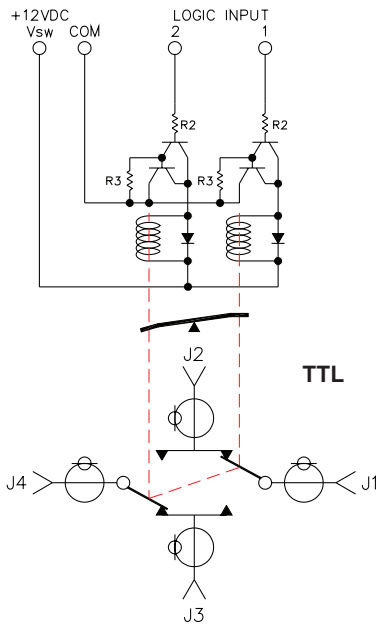


Specifications subject to change without notice.

www.teledynecoax.com
email: coax@teledyne.com

Tel: (800) 351-7368
10/2007

Commercial CCS-47 High Power Transfer DC-12GHz Latching



H = 2.10 STD Model
H = 2.60 TTL Model

Part Numbering System for CCS-47 (Latching)

