



Commercial CCT-59

Multi-Throw Internal Terminations DC-26.5GHz

Latching

The CCT-59 Switch is a Internally Terminated broadband, multi-throw, electromechanical coaxial switch designed to switch a microwave signal from a common input to any of 3, 4, 5, or 6 outputs. The characteristic impedance is 50 Ohms. Internal terminations provide an impedance match for the unselected ports. The switches are small using the popular connector spacing on a 1.062" dia. circle. Each position has an individual actuator mechanism allowing random position selection. This also minimizes switching time.

Specifications

RF Contacts:	Break before make				
Actuator	Voltage (VDC) 20°C	12	15	28	
	Latching Current (mA)	255	205	90	
	Reset Current (mA)	Positions			
		3	765	615	270
		4	1020	820	360
		5	1275	1025	450
		6	1530	1230	540

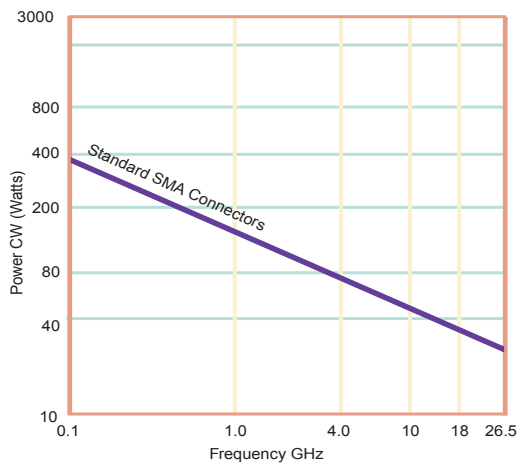
- Switching Time:** 20 msec max
- Terminations:** 50 Ohm 2 Watts CW max
- Connectors:** SMA (f)
- Weight:** 6 oz. max
- Temperature Range:** -40°C to +65°C (Operating)

The CCT-59 comes with a latching actuator. The latching switch remains in the last position selected when the switch is de-energized. STD dual command requires a reset pulse before a new selected position. A separate reset circuit allows all positions to be set to an open position. User must provide both reset (clear) and set (select new position) commands.

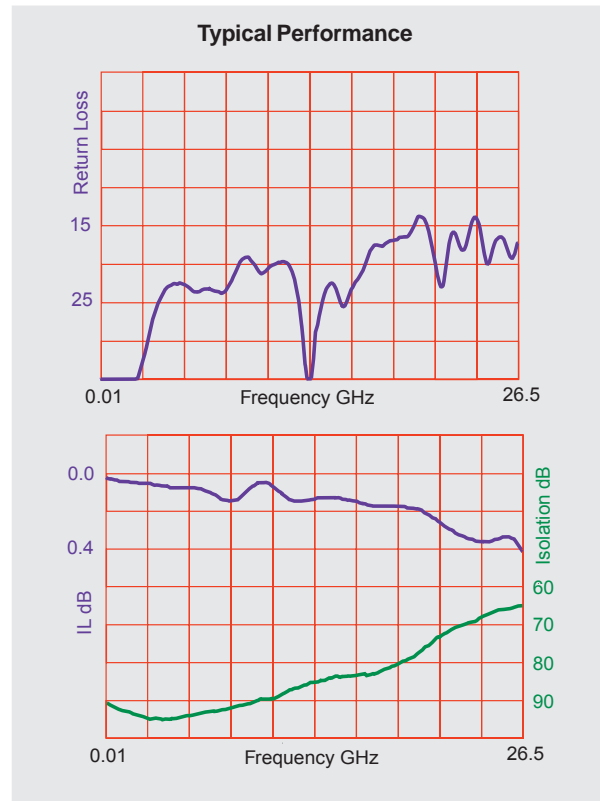
- Shock:** MIL-STD-202 Method 213, Condition D (500G Non Operating)
- Vibration:** MIL-STD-202 Method 214, Condition D (10G RMS Non Operating)
- Humidity:** Moisture Seal Available

- Typical Contact Life:** 5 Million Cycles
- Insertion Loss Repeatability (1 Million Cycles):**
DC to 6 GHz: 0.05 dB
DC to 20 GHz: 0.1 dB

RF Power Handling (Non-Terminated)



Specifications	DC-6 GHz	6-12 GHz	12-18 GHz	18-26.5 GHz
VSWR (max)	1.25:1	1.40:1	1.50:1	1.80:1
Insertion Loss (max)	0.20 dB	0.40 dB	0.50 dB	0.80 dB
Isolation (min)	70.0 dB	60.0 dB	60.0 dB	50.0 dB

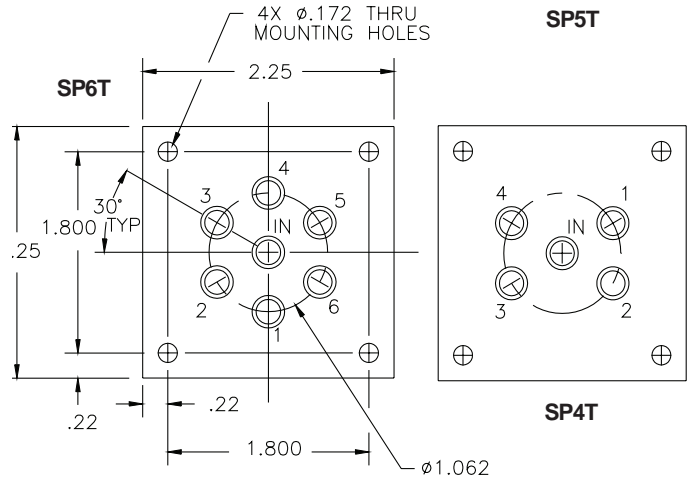
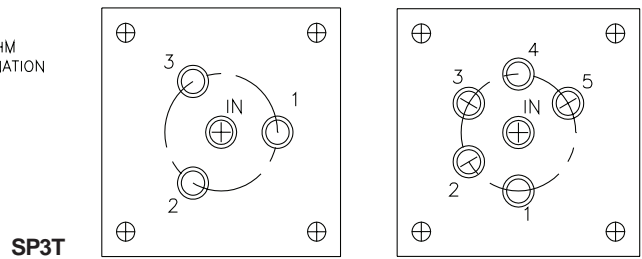
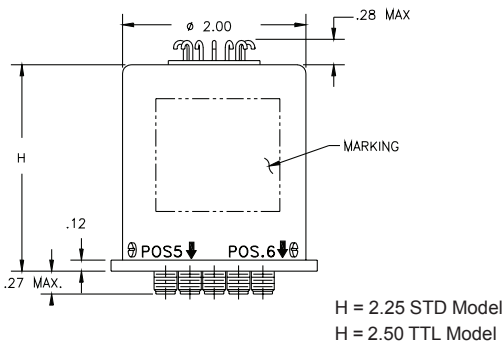
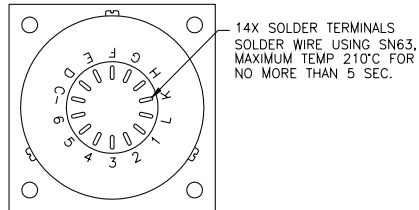
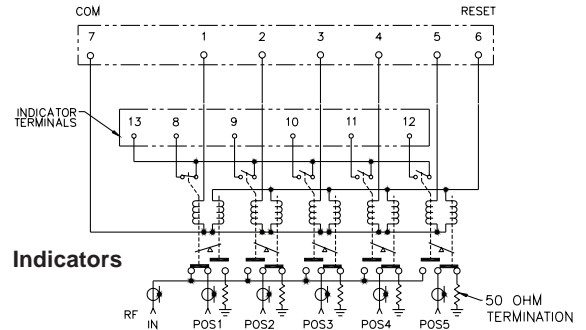
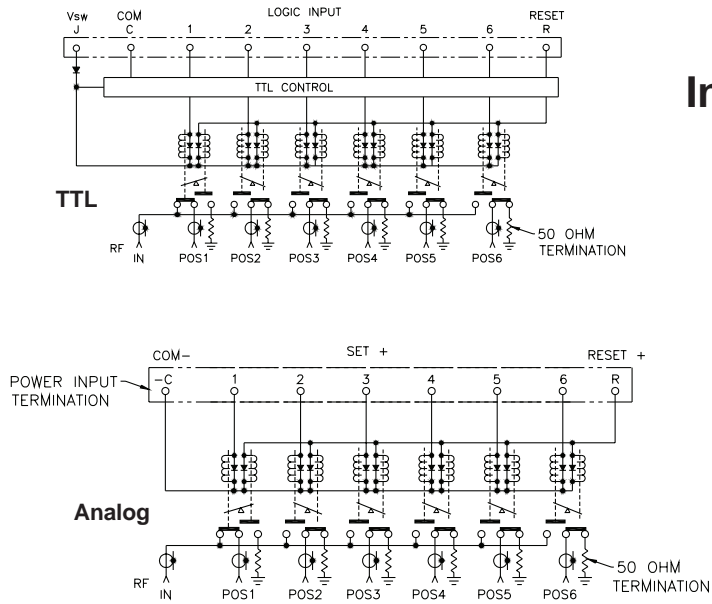


Specifications subject to change without notice.

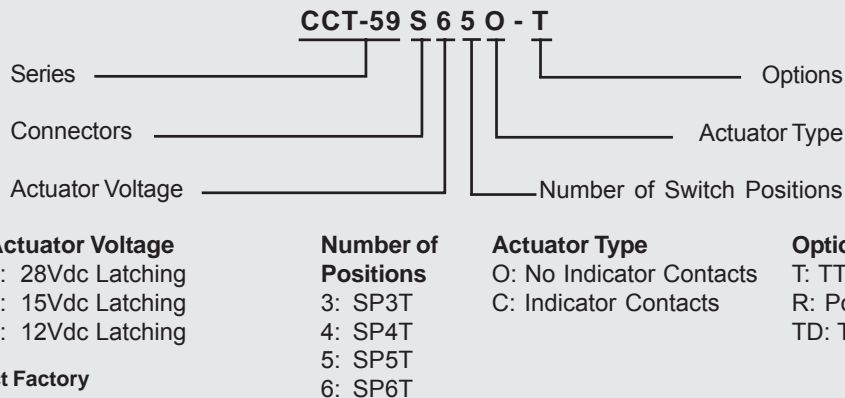
www.teledynecoax.com
email: coax@teledyne.com

Tel: (800) 351-7368
10/2007

Commercial CCT-59 Multi-Throw Internal Terminations DC-26.5GHz Latching



Part Numbering System for CCT-59 (Latching)



For other options contact Factory



Specifications subject to change without notice.

www.teledynecoax.com
email: coax@teledyne.com

Tel: (800) 351-7368
10/2007