



Elite CR-33

Miniature DC-22GHz SPDT Switch

Latching

The CR-33 Switch is a broadband, SPDT, electromechanical, coaxial switch designed to switch a microwave signal from a common input to either of two outputs. The CR-33 Series has a higher operating Frequency and temperature range than the commercial CCR-33 series. The characteristic impedance is 50 Ohms. The switches are small with connector spacing compatible with SMA connectors.

The CR-33 series switch is offered with either a failsafe or latching actuator. This design is compatible with the two most common mounting hole patterns. The CR-33 series switch is interchangeable with a variety of switches.

Specifications

RF Contacts: Break before make

Actuator	Voltage (VDC) 20°C	12	15	28
	Current (mA)	140	115	65

Switching Time: 10 msec max

Connectors: SMA (f)

Weight: 1.65 oz. max

Temperature Range: -55°C to +85°C (Operating)

Shock: MIL-STD-202 Method 213, Condition D (500G Non Operating)

Vibration: MIL-STD-202 Method 214, Condition D (10G RMS Non Operating)

Humidity: Moisture Seal Available

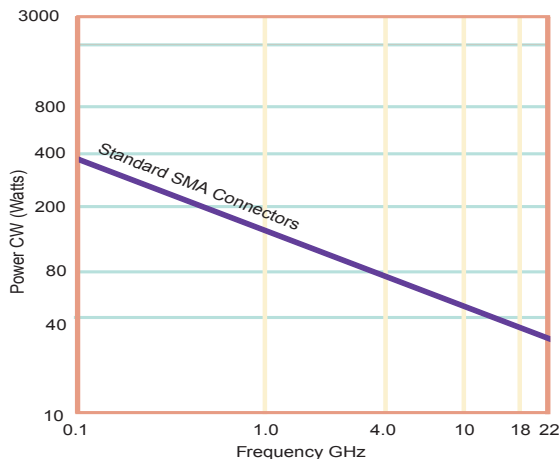
Typical Contact Life: 5 Million Cycles

RF Power Handling

Insertion Loss Repeatability (1 Million Cycles):

DC to 6 GHz: 0.05 dB

DC to 20 GHz: 0.1 dB



Specifications	DC-6 GHz	6-12 GHz	12-18 GHz	18-22 GHz
VSWR (max)	1.25:1	1.40:1	1.50:1	1.60:1
Insertion Loss (max)	0.20 dB	0.40 dB	0.50 dB	0.60 dB
Isolation (min)	70.0 dB	60.0 dB	60.0 dB	50.0 dB



Specifications subject to change without notice.

www.teledynecoax.com
email: coax@teledyne.com

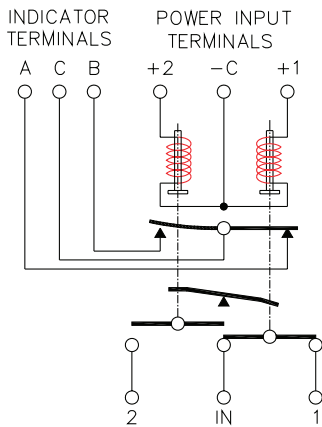
Tel: (800) 351-7368

10/2007

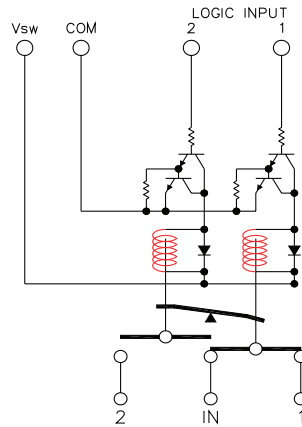
Elite CR-33

Miniature DC-22GHz SPDT Switch

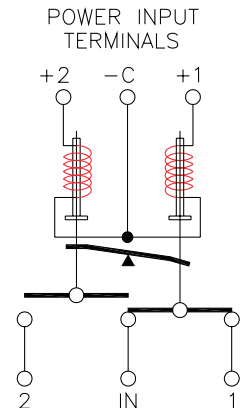
Latching



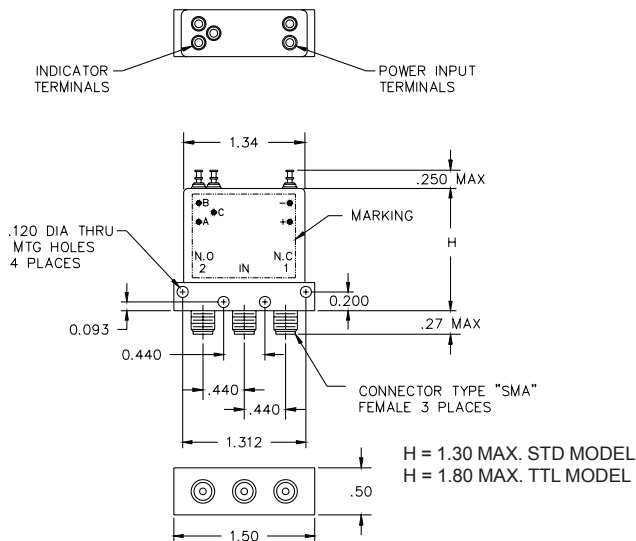
Indicators



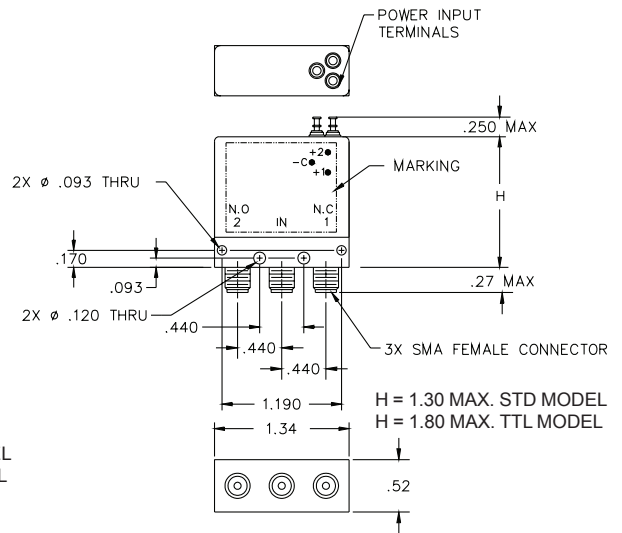
TTL



Analog

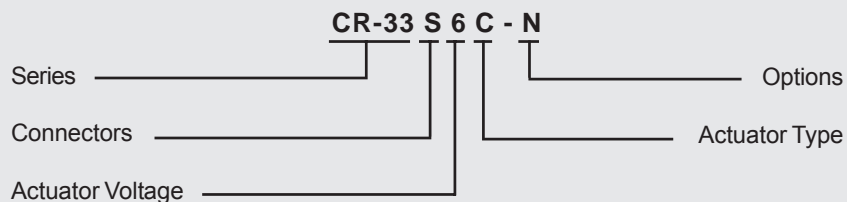


Standard Width Body



Optional Narrow Width Body

Part Numbering System for CR-33 (Latching)



Connector
S: SMA Female

Actuator Voltage
6: 28Vdc Latching
7: 15Vdc Latching
8: 12Vdc Latching

Actuator Type
O: No Indicator Contacts
C: Indicator Contacts
D: Self Cutoff Only
E: Indicators and Self Cutoff

Options
T: TTL Drivers with Diodes
N: Narrow Body
R: Positive + Common

For other options contact Factory



Specifications subject to change without notice.

www.teledynecoax.com
email: coax@teledyne.com

Tel: (800) 351-7368
10/2007