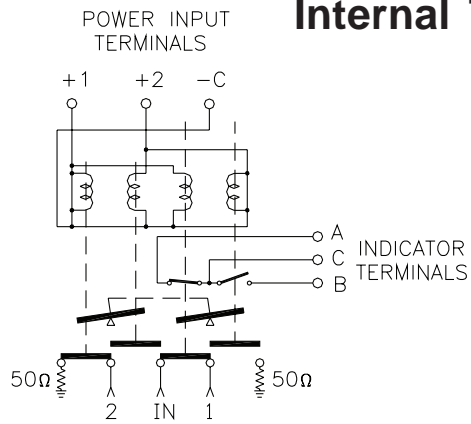
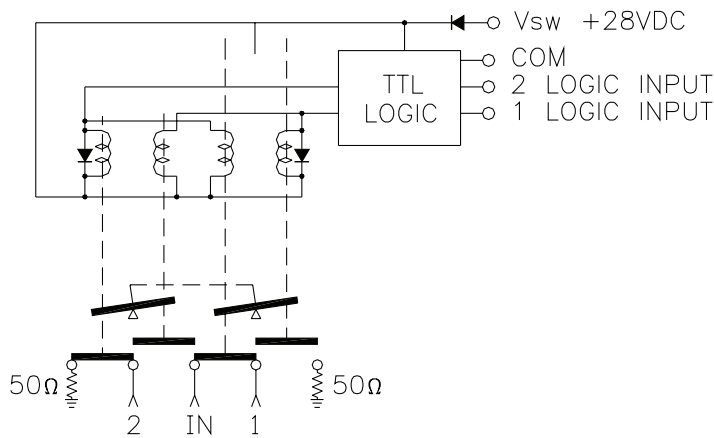




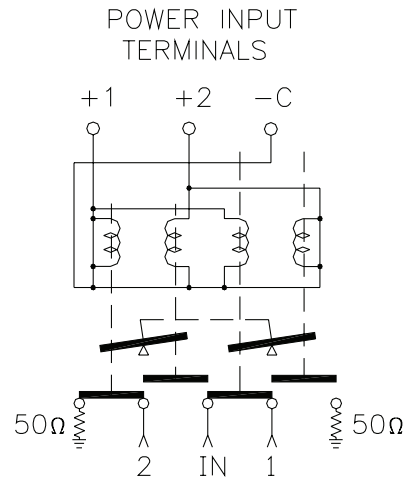
## Internal Terminations DC-26.5GHz SPDT Switch Latching



**Indicators**

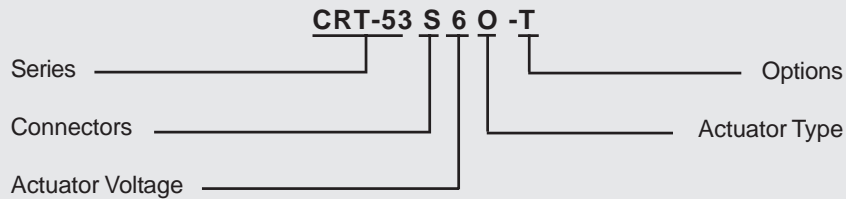


**TTL**



**Analog**

### Part Numbering System for CRT-53 (Latching)



**Connector**  
S: SMA Female

**Actuator Voltage**  
6: 28Vdc Latching  
7: 15Vdc Latching  
8: 12Vdc Latching

**Actuator Type**  
O: No Indicator Contacts  
C: Indicator Contacts  
D: Self Cutoff Only  
E: Indicators and Self Cutoff

**Options**  
T: TTL Drivers with Diodes  
R: Positive + Common

For other options contact Factory



Specifications subject to change without notice.

www.teledynecoax.com  
email: coax@teledyne.com

Tel: (800) 351-7368

10/2007